

# INSTALLATION INSTRUCTIONS

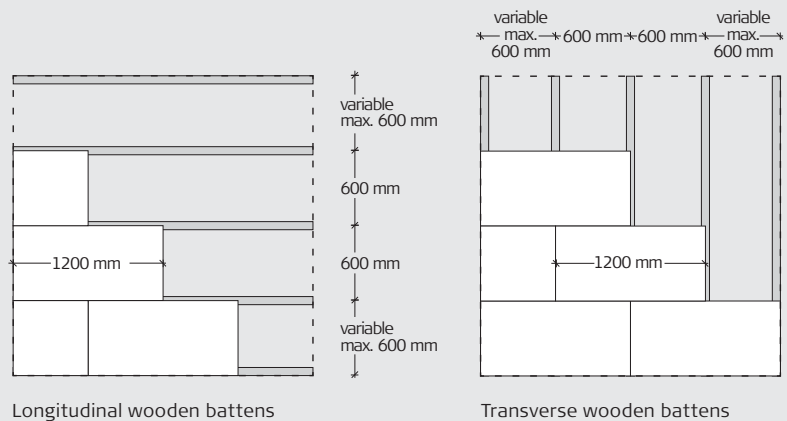
Wooden battens, ceilings. Installed with concealed KN.

These instructions apply to installation of wooden battens for ceiling cladding, minimum 22x95 mm or 45x95 mm. Download installation instructions for all Troldtekt® panel types from [www.troldtekt.com](http://www.troldtekt.com).

## INSTALLATION OF WOODEN BATTENS

Troldtekt panels are most often installed on longitudinal wooden battens, but transversal battens are just as applicable (except for Plus panels).

Note, however, the tolerances of the Troldtekt panels. If the panels are very dry, they could be undersized, which could cause problems on very large surfaces with transversal wooden battens.

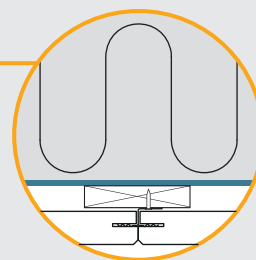
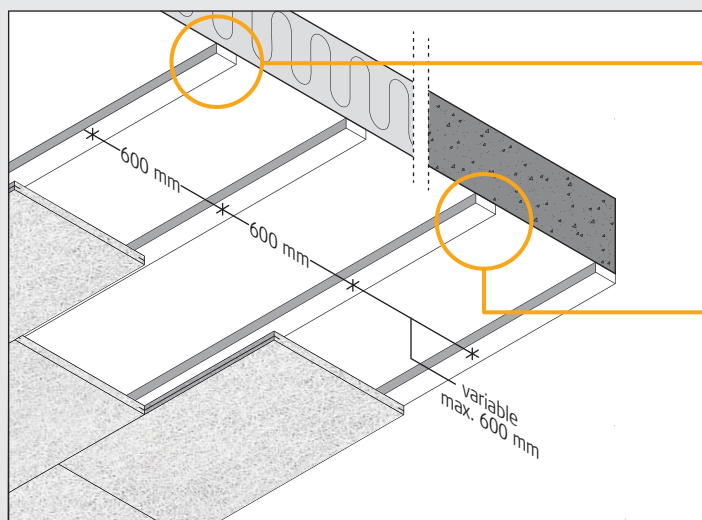


## VAPOUR CHECK

If you need to install a vapour check, we recommend using polyethylene. The vapour check must be placed behind the wooden battens. Install the vapour check tightly against the insulation.

Please refer to the manufacturer's instructions.

## STRUCTURAL SOFFIT



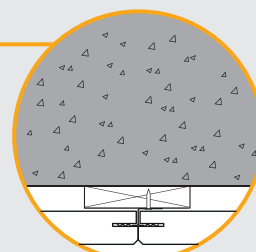
### Insulation

Post/structure

Vapour check

Minimum: 22x95 mm or 45x95 mm wooden battens

Troldtekt panels



### Concrete

Minimum: 22x95 mm or 45x95 mm wooden battens

Troldtekt panels