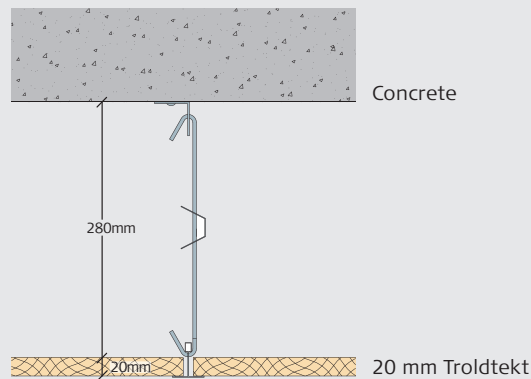


Troldtekt®

Sound absorption measurements for
20 mm Troldtekt, suspended 280 mm

VERTICAL SCHEMATIC DIAGRAM



SOUND ABSORPTION MEASUREMENTS

Hz	100	125	160	200	250	315	400	500	630	800	1000	1250	1600	2000	2500	3150	4000	5000
α	0,24	0,22	0,32	0,42	0,44	0,45	0,43	0,34	0,28	0,37	0,47	0,44	0,50	0,53	0,57	0,57	0,64	0,69

$\alpha_w = 0,45$ - NRC = 0,45 - Absorptionsklasse D.

Measurement of the sound absorption coefficients were carried out using the reverberation room method - in accordance with DS/ISO 354.

The measurements are carried out by DELTA Acoustics & Vibration A/S.

Absorption coefficient α

