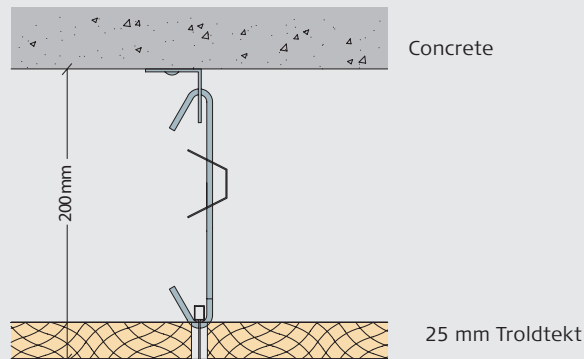


Troldtekt®

Sound absorption measurements for
25 mm Troldtekt, suspended 200 mm

VERTICAL SCHEMATIC DIAGRAM



SOUND ABSORPTION MEASUREMENTS

Measurement of the sound absorption coefficients were carried out using the reverberation room method - in accordance with DS/ISO 354.

The measurements are carried out by DELTA Acoustics & Vibration A/S.

Hz	125	160	200	250	315	400	500	630	800	1000	1250	1600	2000	2500	3150	4000
α	0,17	0,19	0,25	0,47	0,60	0,52	0,47	0,43	0,35	0,32	0,42	0,46	0,50	0,47	0,56	0,67

$\alpha_w = 0,45$ - NRC = 0,45 - Absorption class D.

Absorption coefficient α

